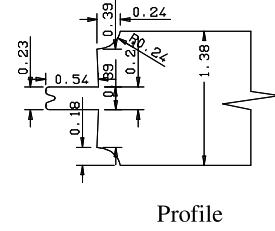
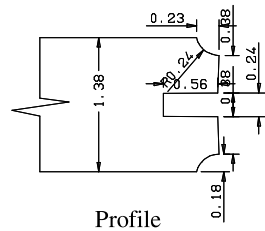
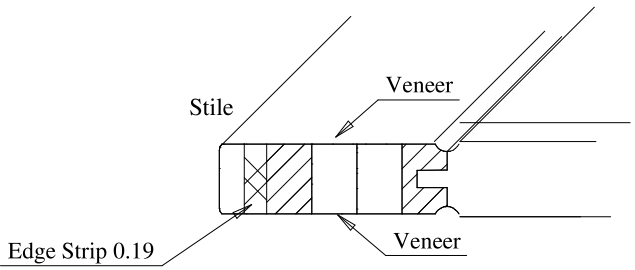
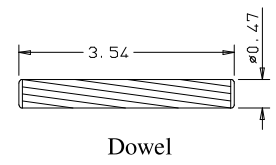
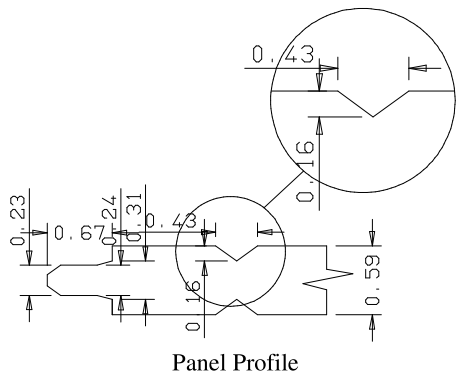
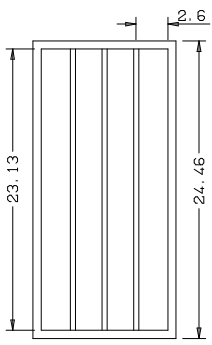
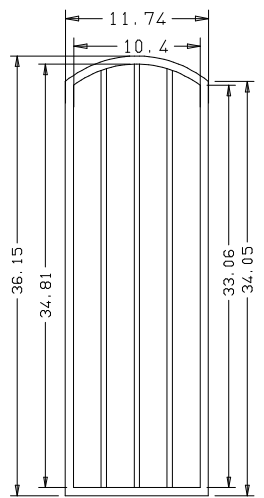
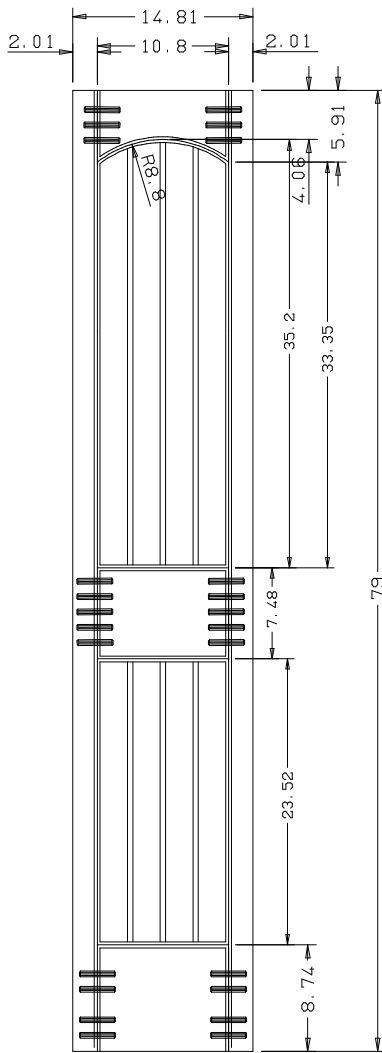
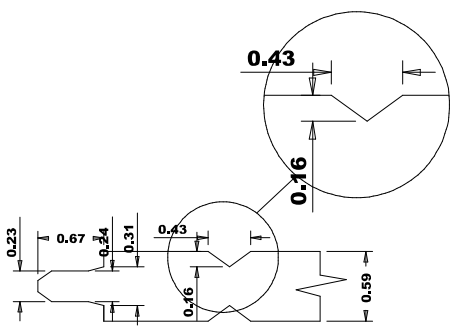
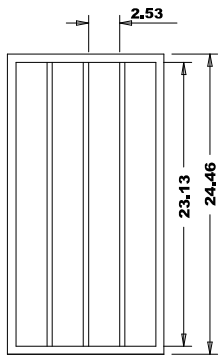
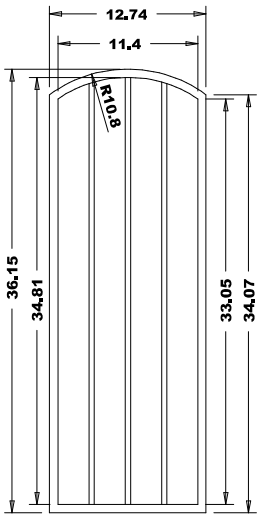
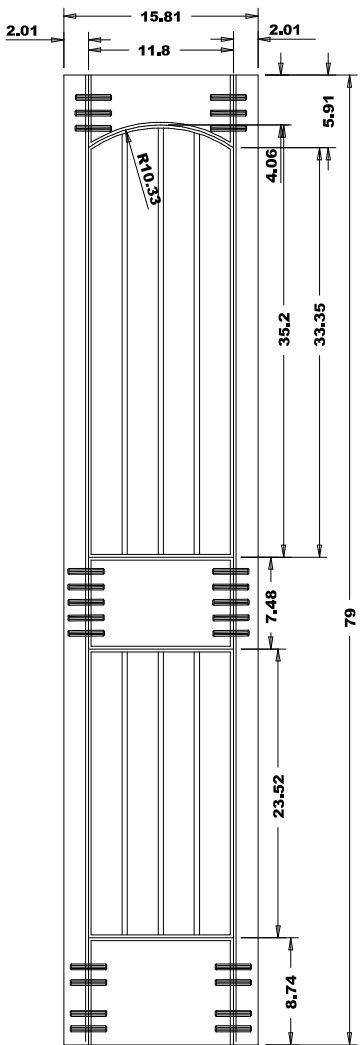


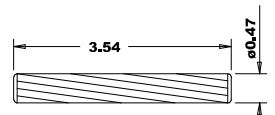
Titulo: <b>RDM1006 - 79" x 13.13/16" x 35mm</b>					
<b>SQUARE ONE</b> BUILDING PRODUCTS	Client	963- Square One			
	Designer	Luiz Antônio	Approval	Charles	Reviewed by Luiz Antônio
	Date	09-03-2018	Date	09-03-2018	Review Date 15-02-2021



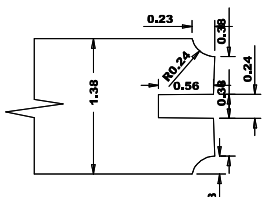
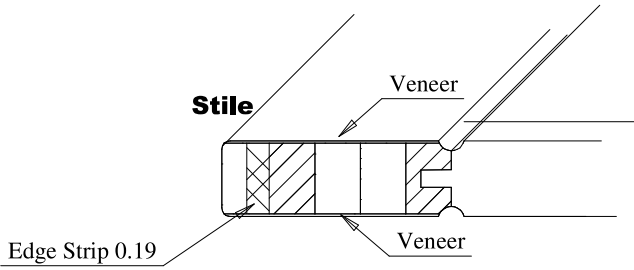
Titulo: RDM# 1006 - 79" x 376,24 x 35mm - knotty					
	Client	963- Square One			
	Designer	Luiz Antônio	Approval	Charles	Reviewed by Luiz Antônio
	Date	09-03-2018	Date	09-03-2018	Review Date 15-02-2021



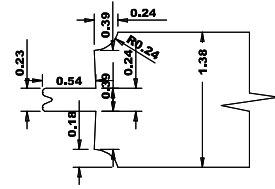
Panel Profile



Dowel



Profile

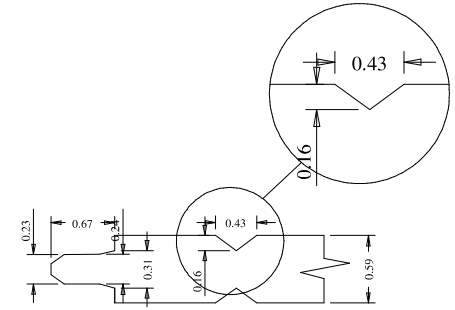
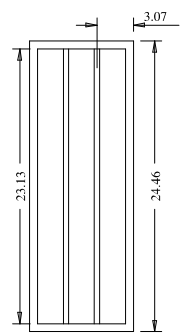
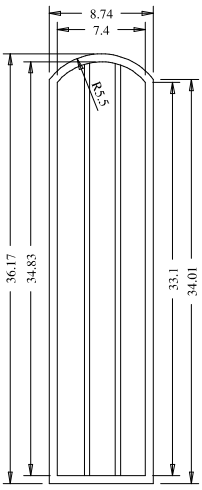
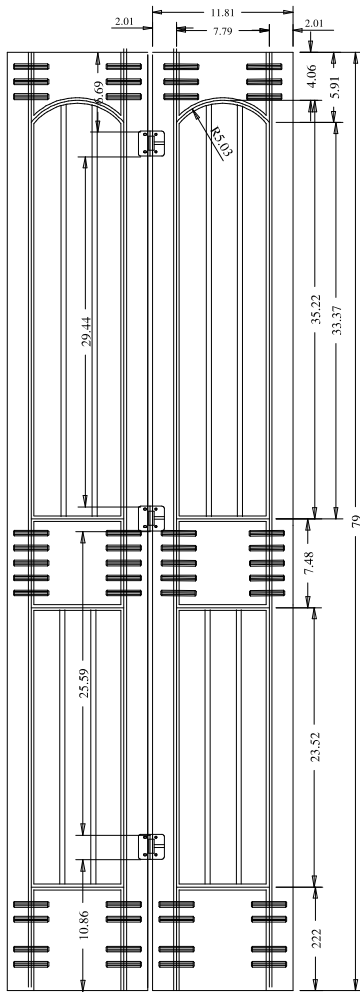


Profile

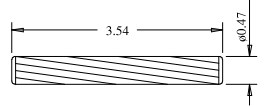
Titulo: RDM#1006 - 79" x 401,64 x 35mm - Knotty				
	Client	963- Square One		
	Designer	Luiz Antônio	Approval	Charles
	Date	17-06-2019	Date	17-06-2019
	Reviewed by	Luiz Antônio		
	Review Date	15-02-2021		



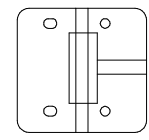




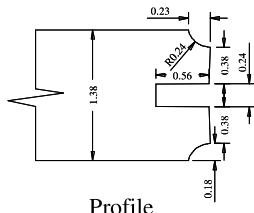
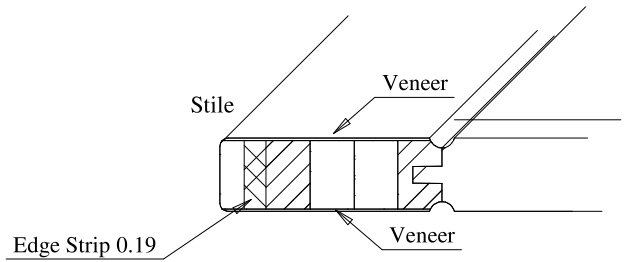
Panel Profile



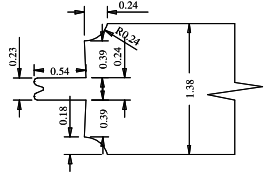
Dowel



Hinge



Profile

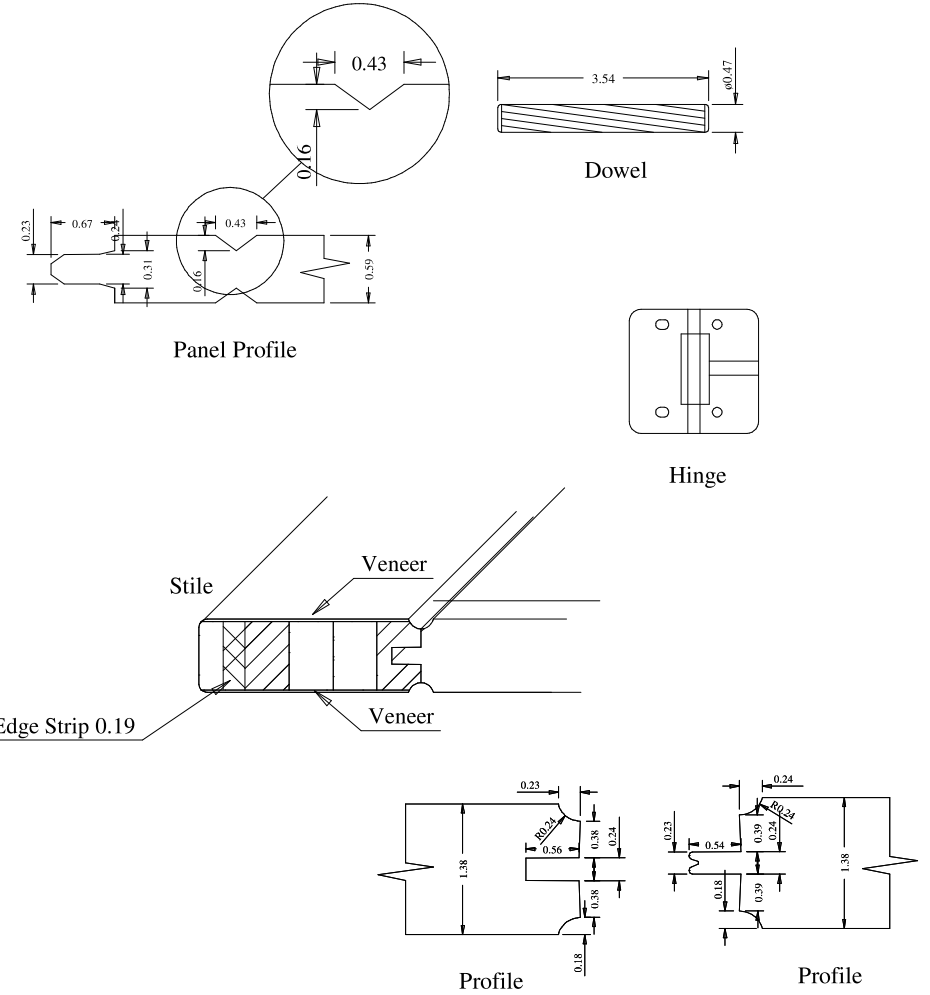
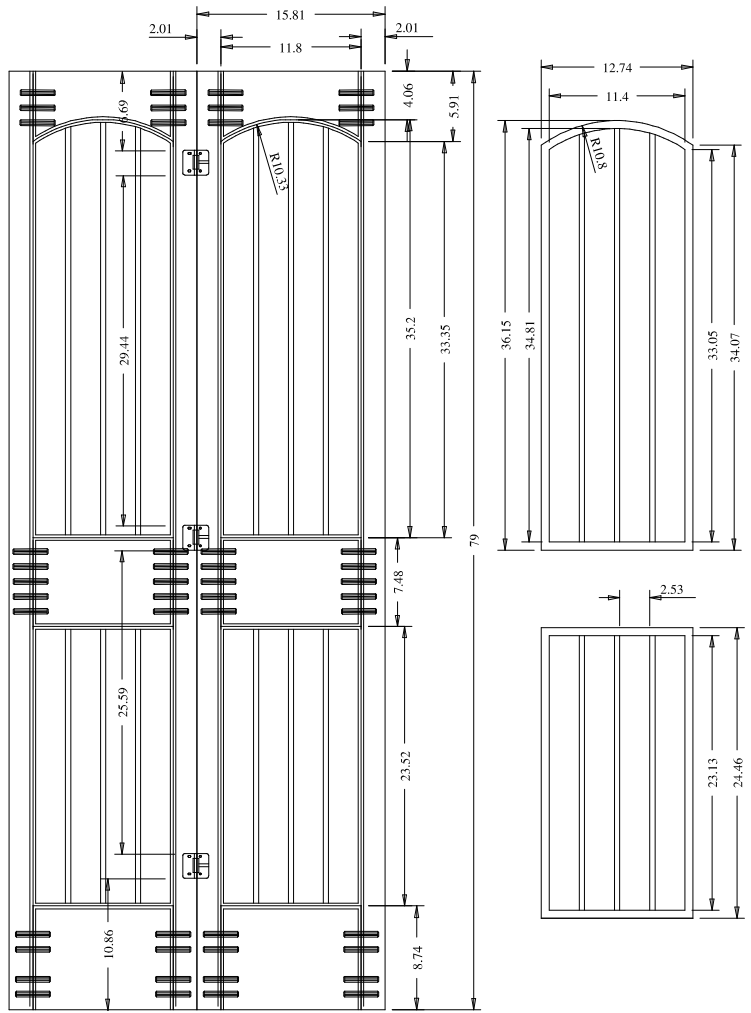


Profile

Titulo: <b>RDM#1006 - 79" x 11.13/16" x 35mm - Knotty</b>					
	Client	963- Square One			
	Designer	Luiz Antônio	Approval	Charles	Reviewed by
	Date	25-10-2018	Date	25-10-2018	Review Date
					Luiz
					15-02-2021

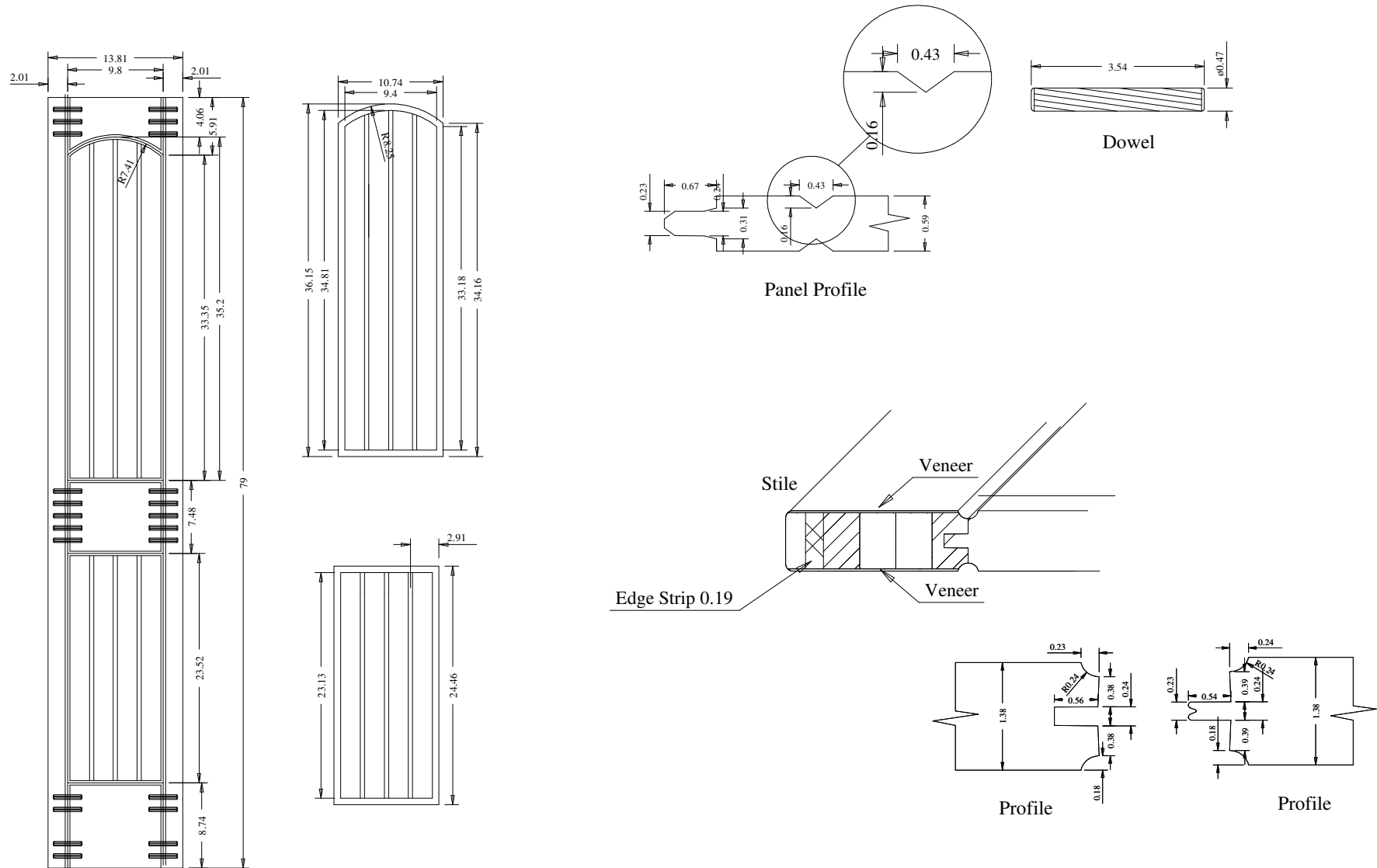




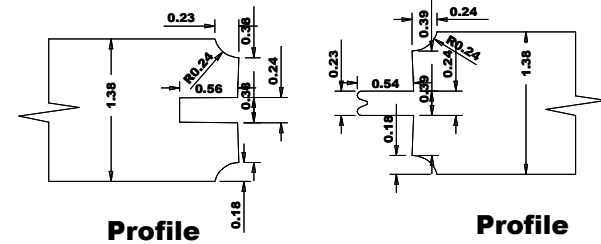
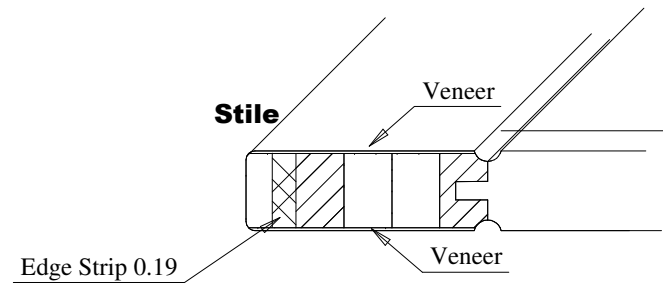
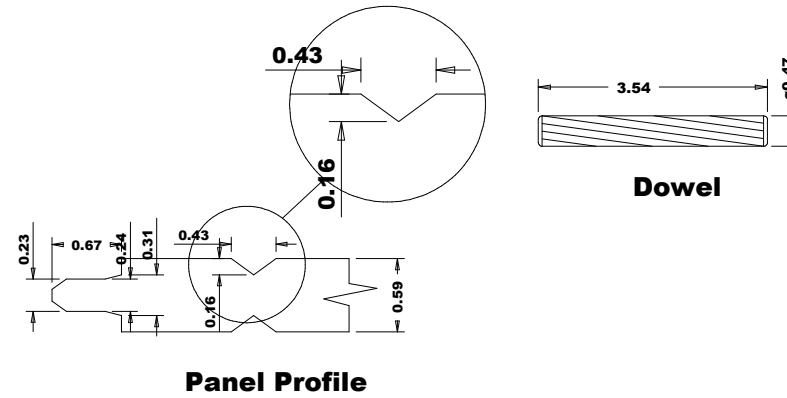
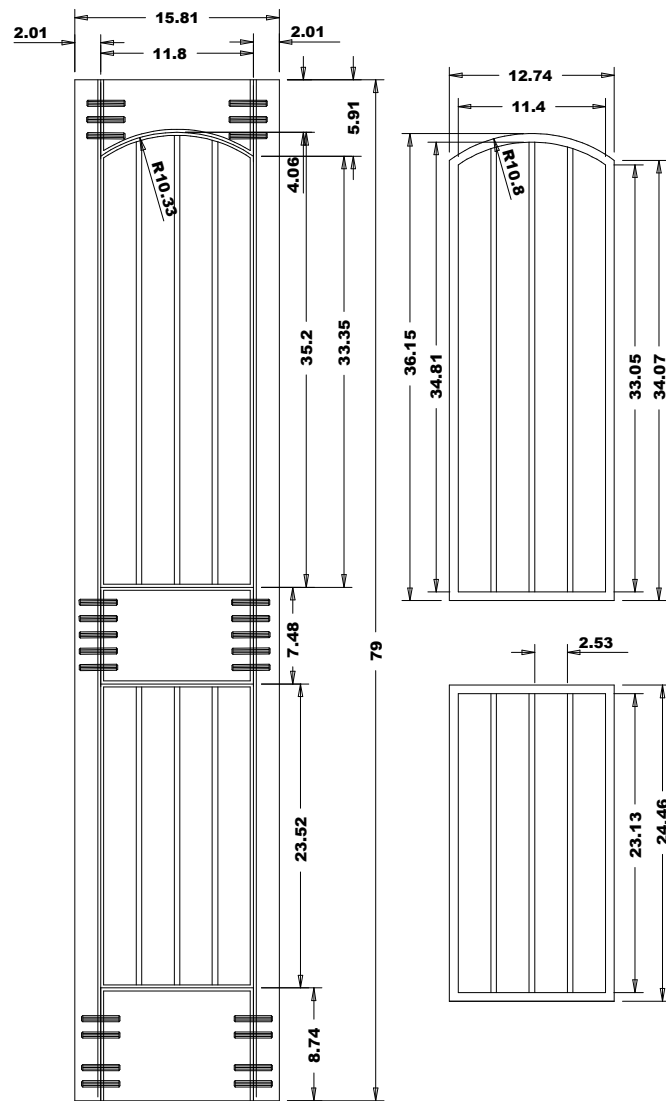


Titulo: <b>RDM#1006 - 79" x 15.13/16" x 35mm - Knotty</b>				
<b>SQUARE ONE</b> BUILDING PRODUCTS	Client	963- Square One		
	Designer	Luiz Antônio	Approval	Charles
	Date	03-05-2022	Date	03-05-2022
	Reviewed by	Luiz		
	Review Date	03-05-2022		





Titulo: RDM1006 - 79" x 13.13/16" x 35mm					
	Client	963- Square One			
	Designer	Luiz Antônio	Approval	Charles	Reviewed by
	Date	09-03-2018	Date	09-03-2018	Review Date
					Luiz Antônio
					15-02-2021



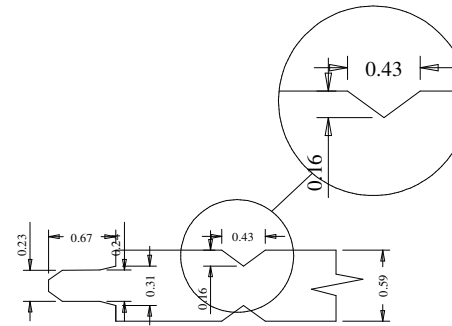
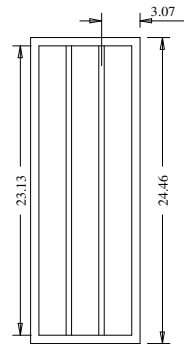
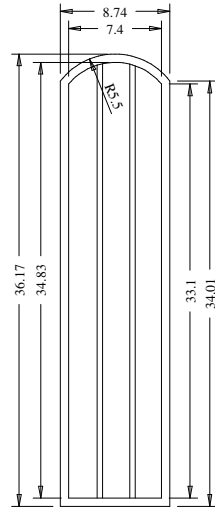
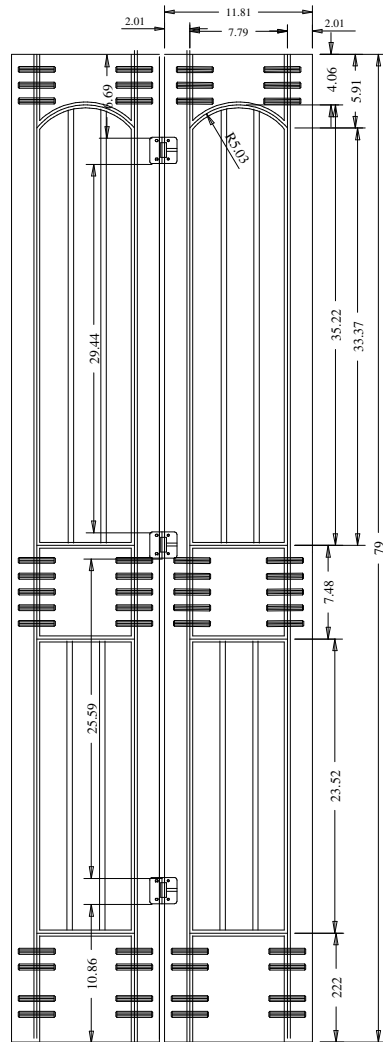
Titulo: RDM#1006 - 79" x 401,64 x 35mm - Knotty

**SQUARE ONE**  
BUILDING PRODUCTS

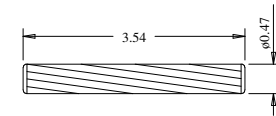
Client	963- Square One				
Designer	Luiz Antônio	Approval	Charles	Reviewed by	Luiz Antônio
Date	17-06-2019	Date	17-06-2019	Review Date	15-02-2021



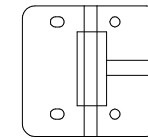




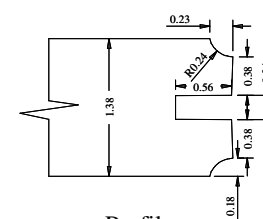
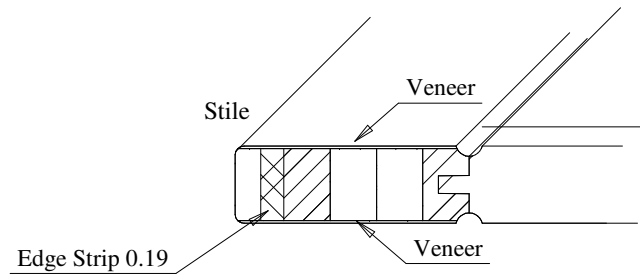
Panel Profile



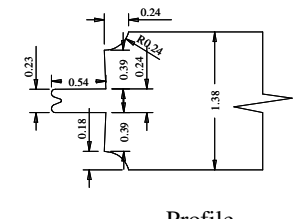
Dowel



Hinge



Profile

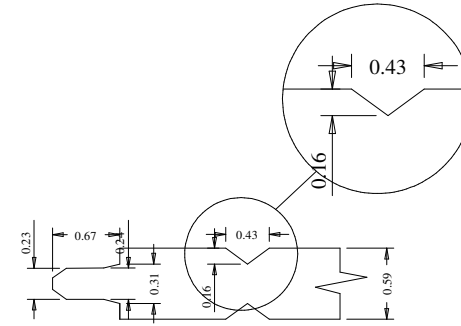
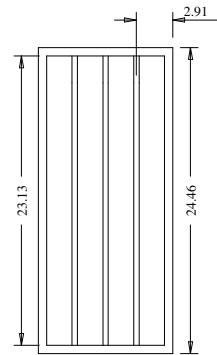
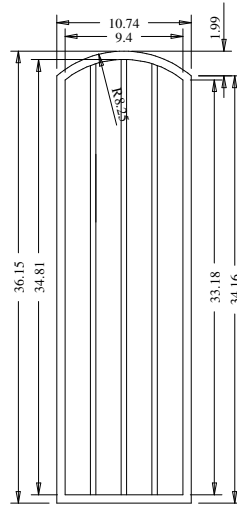
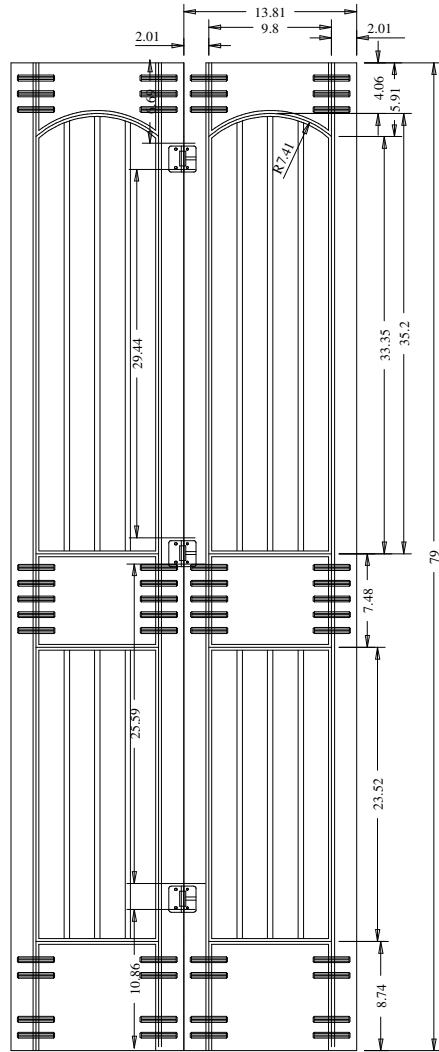


Profile

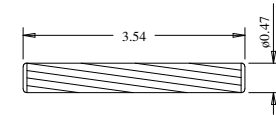
Titulo: RDM#1006 - 79" x 11.13/16" x 35mm - Knotty

**SQUARE ONE**  
BUILDING PRODUCTS

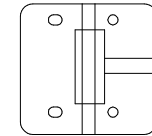
Client	963- Square One				
Designer	Luiz Antônio	Approval	Charles	Reviewed by	Luiz
Date	25-10-2018	Date	25-10-2018	Review Date	15-02-2021



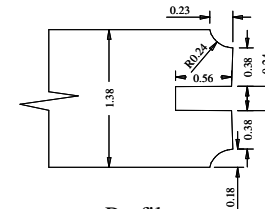
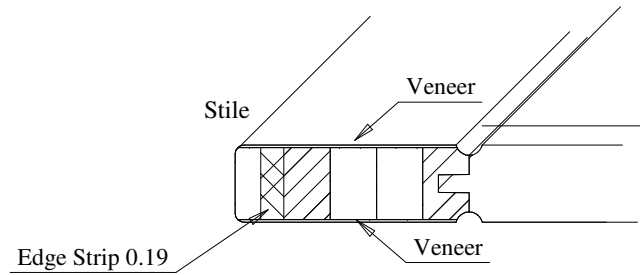
Panel Profile



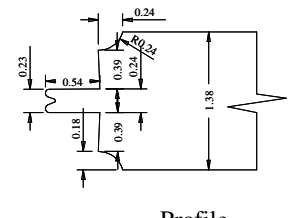
Dowel



Hinge



Profile



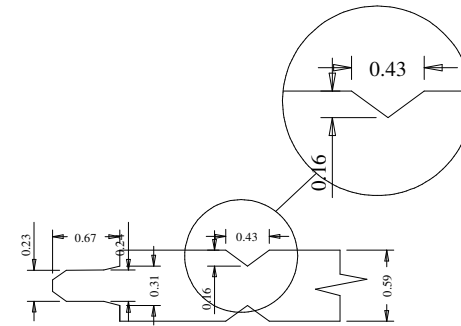
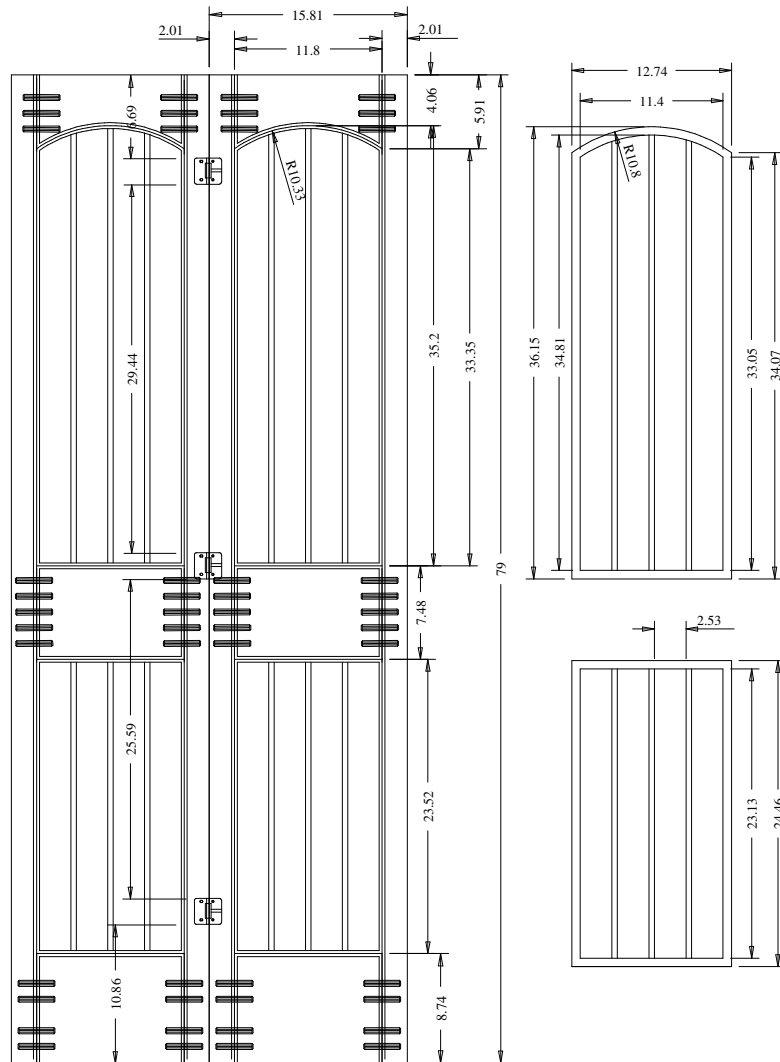
Profile

Titulo: RDM#1006 - 79" x 13.13/16" x 35mm - Knotty

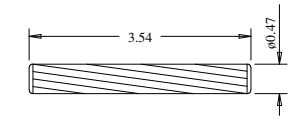
**SQUARE ONE**  
BUILDING PRODUCTS

Client	963- Square One				
Designer	Luiz Antônio	Approval	Charles	Reviewed by	Luiz
Date	03-05-2022	Date	03-05-2022	Review Date	03-05-2022

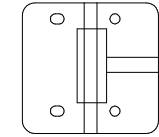




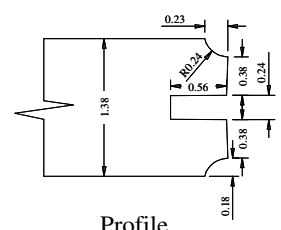
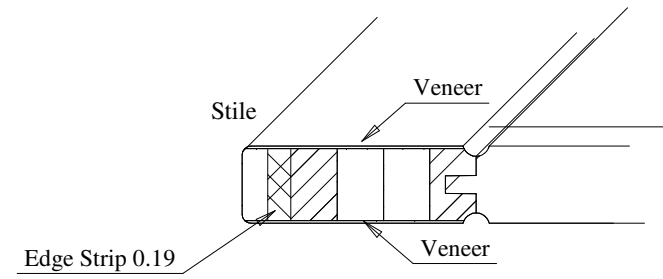
Panel Profile



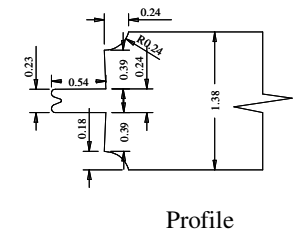
Dowel



Hinge



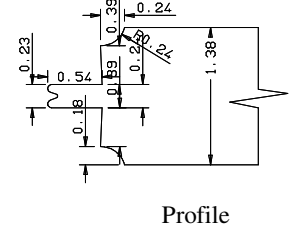
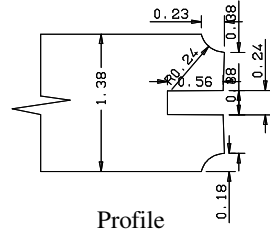
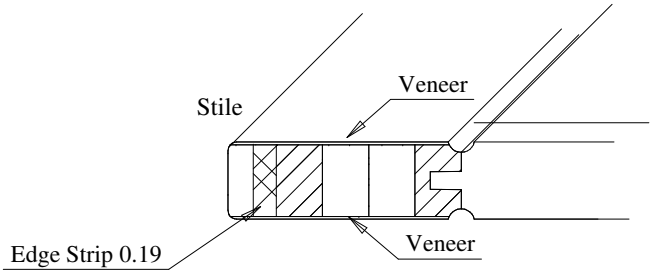
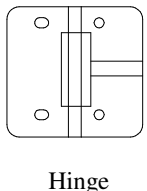
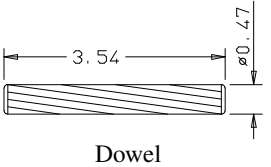
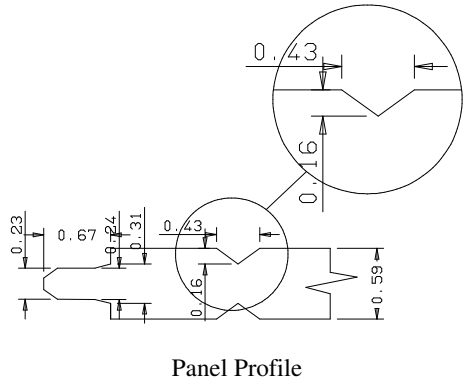
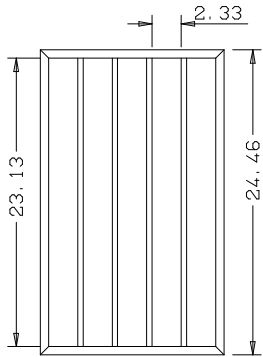
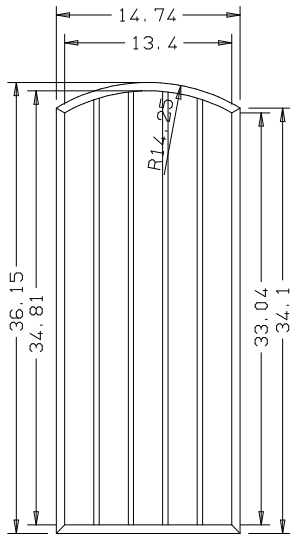
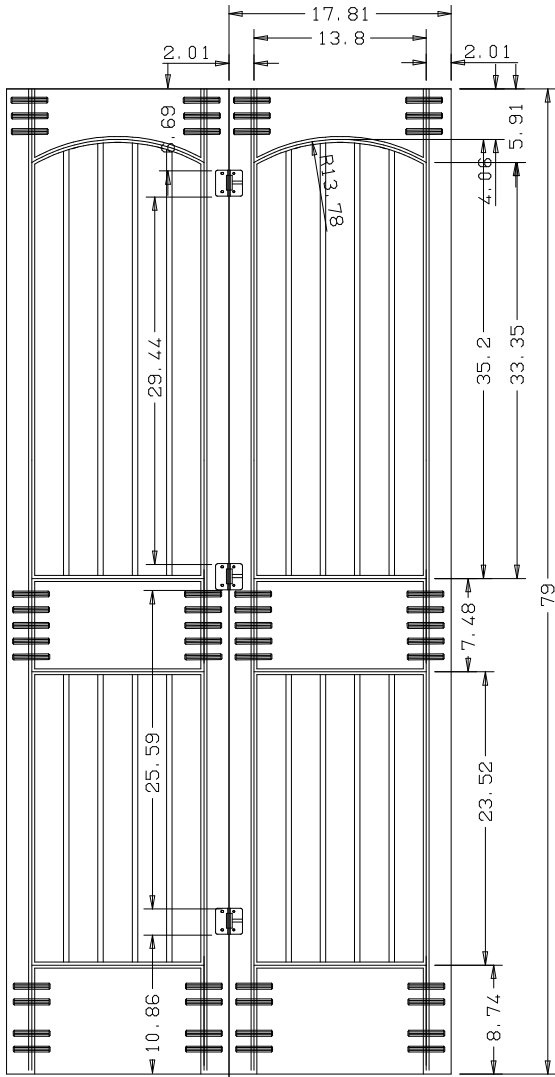
Profile



Profile

Titulo: RDM#1006 - 79" x 15.13/16" x 35mm - Knotty					
	Client	963- Square One			
	Designer	Luiz Antônio	Approval	Charles	Reviewed by
	Date	03-05-2022	Date	03-05-2022	Review Date
				Luiz	03-05-2022

Bifold 2 Panel V-Groove Arch 36" - Johnson Hardware



Titulo: RDM#1006 - 79" x 452,4 (17. 13-16) x 35mm - knotty					
<b>SQUARE ONE</b> BUILDING PRODUCTS	Client	Square One			
	Designer	Luiz Antonio Cirico	Approval	Charles	Reviewed by Luiz Antonio
	Date	16-09-2019	Date	16-09-2019	Review Date 15-02-2021

