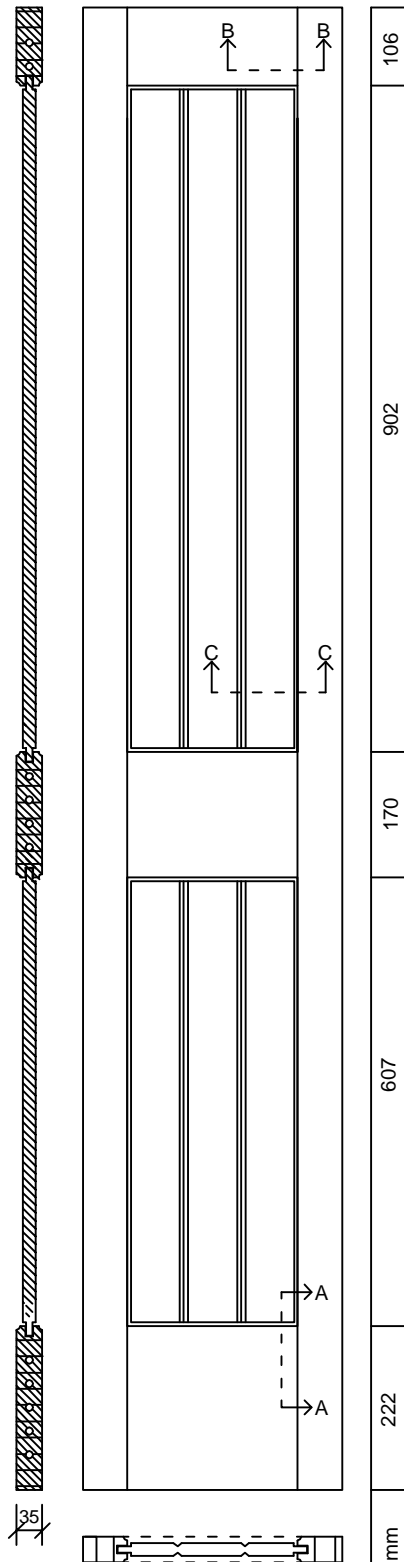
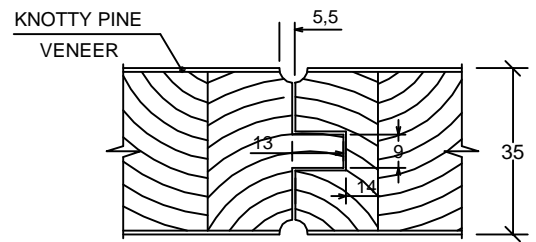
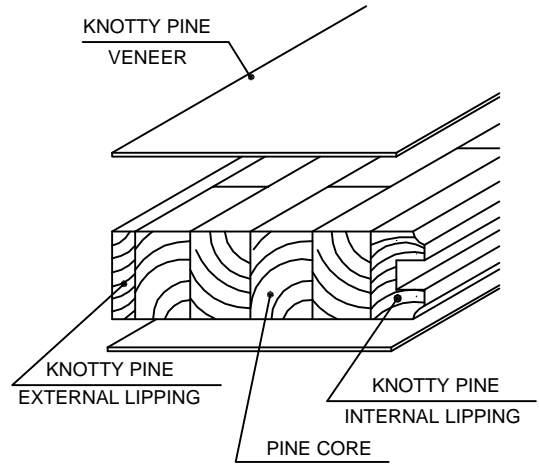


SUMMIT

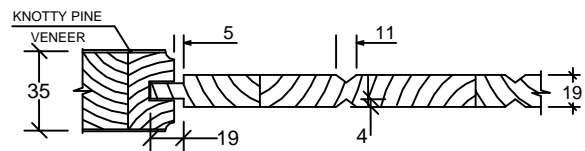
SEDONA SQUARE TOP - BI-FOLD KNOTTY PINE



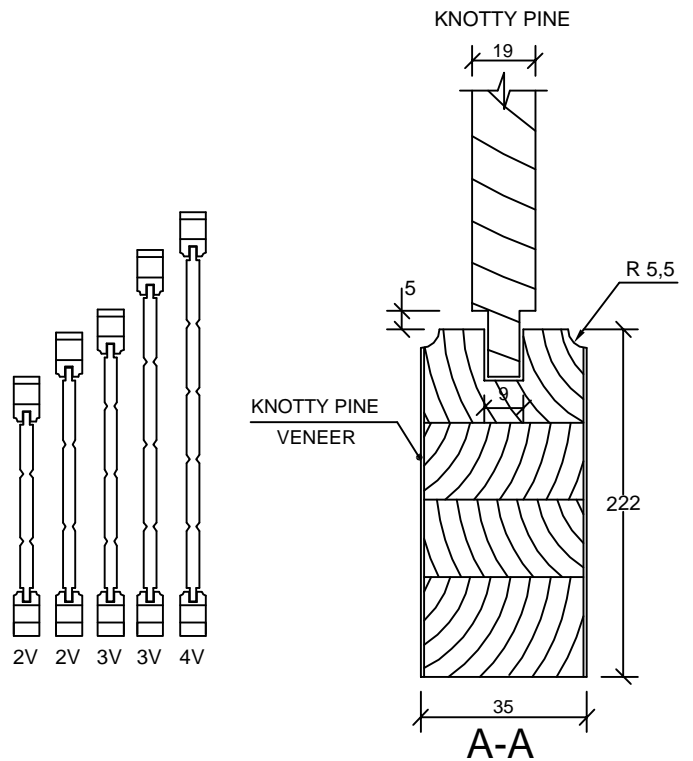
11 13/16" - 300 - 2V	60	180	60
13 13/16" - 351 - 2V	60	231	60
14 13/16" - 376 - 3V	60	256	60
15 13/16" - 402 - 3V	60	282	60
17 13/16" - 452 - 4V	60	332	60



B-B



C-C



A-A

Dimensions in millimeters

SUMMIT

SEDONA SQUARE TOP - BI-FOLD
KNOTTY PINE

Date - 04/09/08